

SETIS™ racks

- SE-R32 (for 32 bioreactors)
- SE-R64 (for 64 bioreactors)



Materials and amounts included in the package, depend on the rack model (SE-R32 or SE-R64). Components in **green** belong to the SE-Tair line (p.18).

Materials	SE-R32	SE-R64
Grid shelves	5x (290x1490x25mm)/5kg	5x (670x1490x25mm)/11kg
Metal beams (to hold the rack)	4x (2500 mm)	4x (2500 mm)
Horizontal bars (to join Metal beams)	10x (320 mm)	8x (700 mm)
Cross bars (to join Metal beams)	N.A.	4x (750 mm)
Plastic caps for Metal beams	8x	8x
Horizontal bars (to hold grid shelves)	10x (1500 mm)	10X (1500 mm)
SE-Tair (SETIS™ air connectors)	64x (4 bags of 16x)	128x (8 bags of 16x)
Self-drilling screw	40x	80x
Silicone cap	8x	16x
Push-in 'T' connector	6x (for tube OD 8mm)	12x (for tube OD 8mm)
Push-in air hand valve	8x ((for tube OD 8mm)	16x (for tube OD 8mm)
SE-ST6 (Silicone tube 6/9 mm)	20 meters	40 meters
PU tube	25 meters	50 meters

Standard SETIS™ rack models

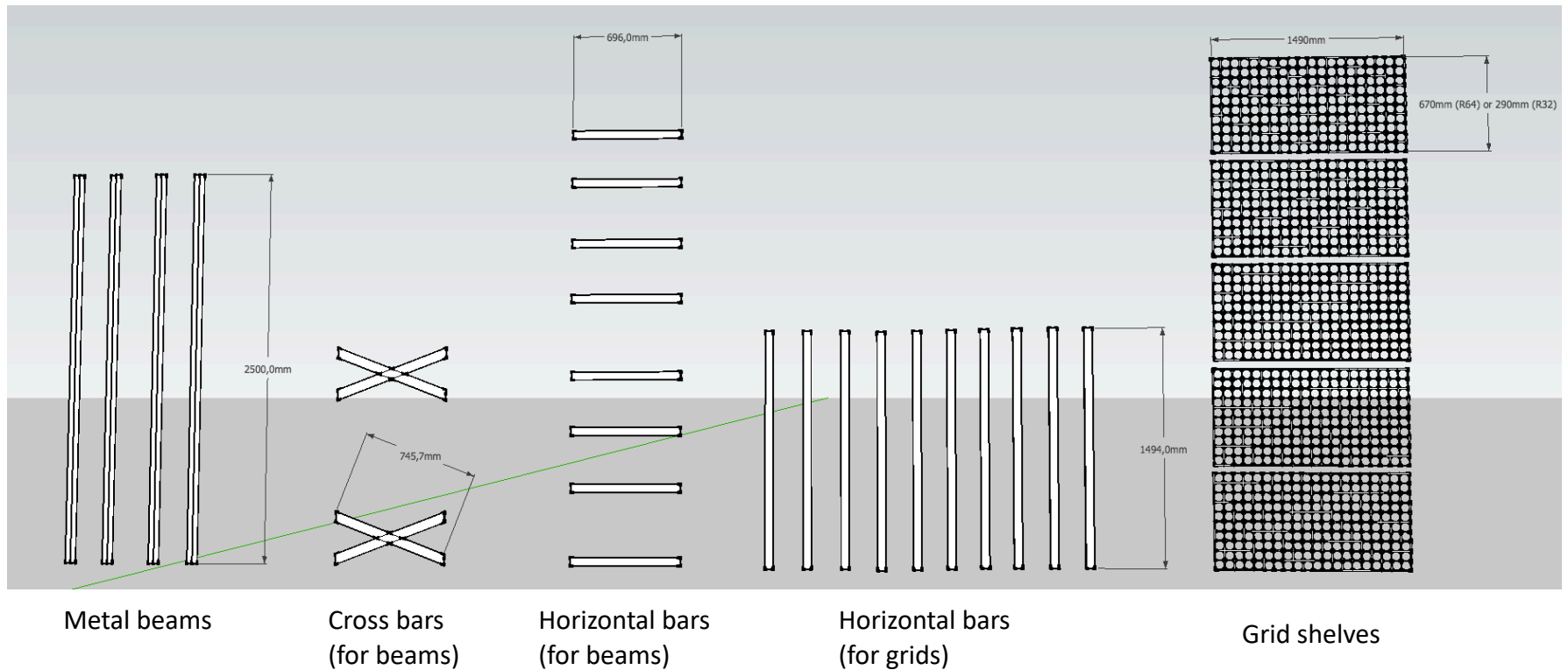
There are 4 shelves for bioreactors. The top shelf is empty.

- Product code: SE-R64 (up to 64 bioreactors)
1500x700x2500mm
Min. 2 Control Points (32 bioreactors each)
- Product code: SE-R32 (up to 32 bioreactors)
1500x320x2500mm
Min. 1 Control Points (32 bioreactors each)

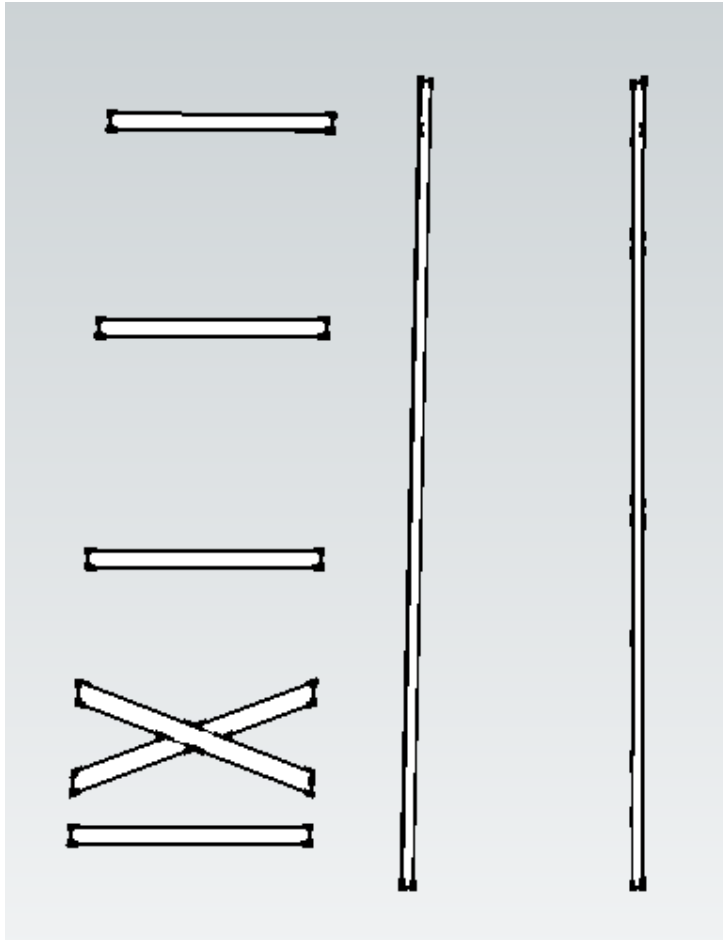
Light installation is NOT provided with the SETIS™ rack !!!



SETIS™ rack structure / Parts and assembly sketch



Assembly of the lateral metal beams

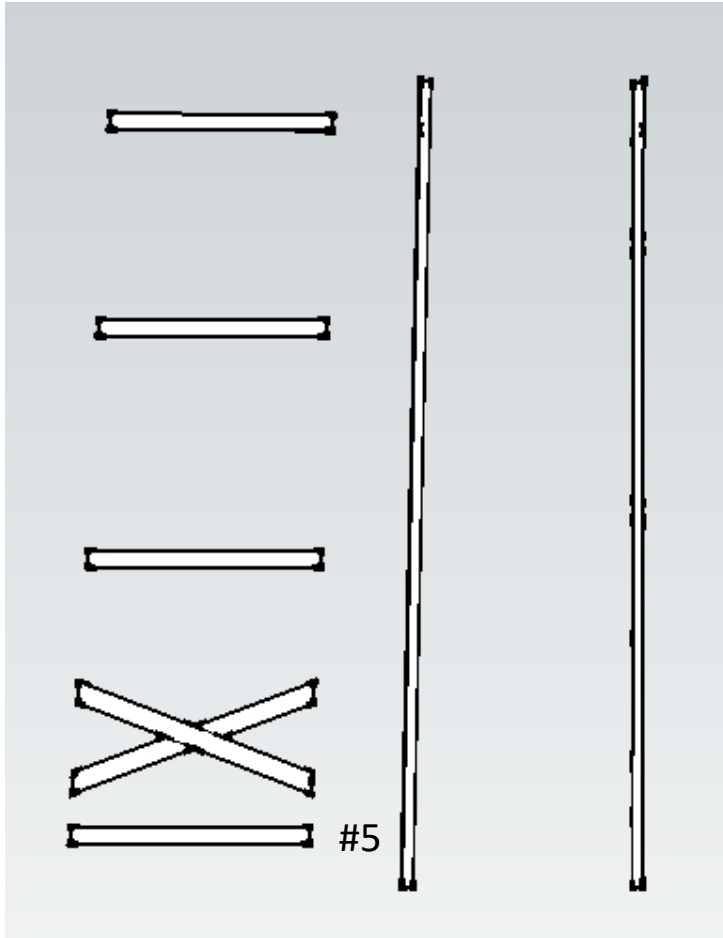


Place 2 metal beams on the ground with +/- 650 mm between them and assemble the horizontal and cross bars to connect the beams.

The grips of the metal beams must be orientated upwards, as illustrated below.



Assembly of the lateral metal beams (R64)



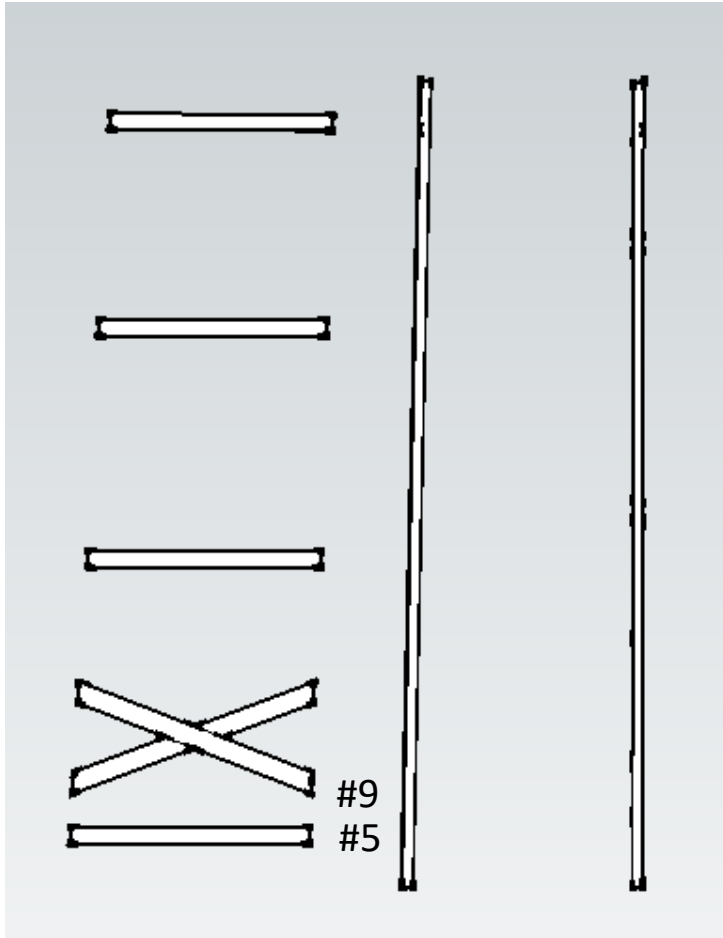
Insert the bars to join both metal beams as indicated below: based on the number of the grip next to the insert point.

First bar (horizontal) must be inserted at grip # 5. See picture.

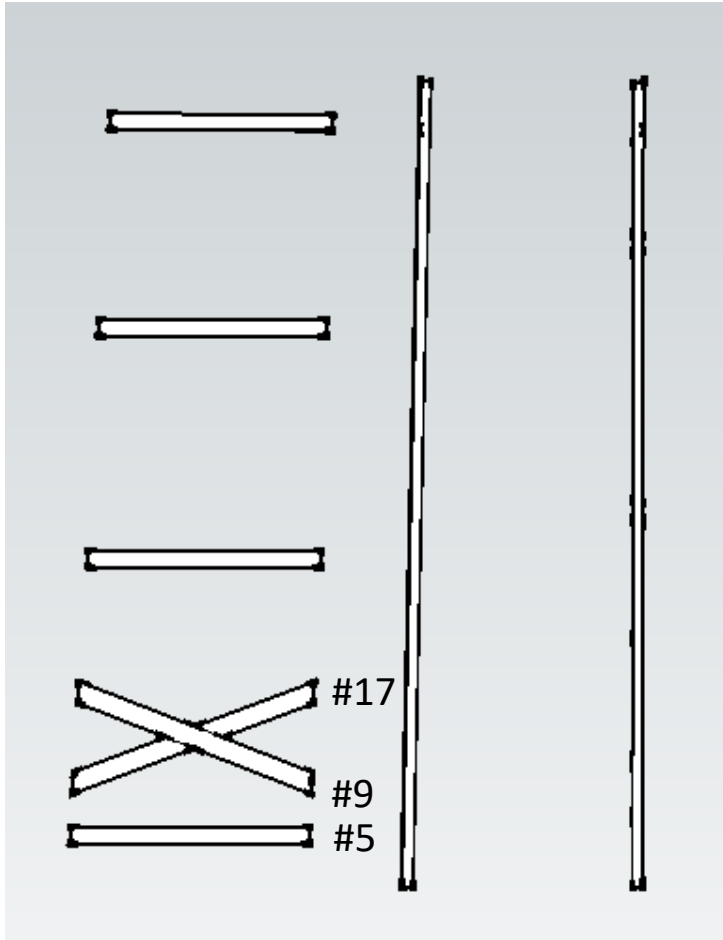


Assembly of the lateral metal beams (R64)

The next bar (cross bar) must be inserted at grip #9 .
See picture.



Assembly of the lateral metal beams (R64)

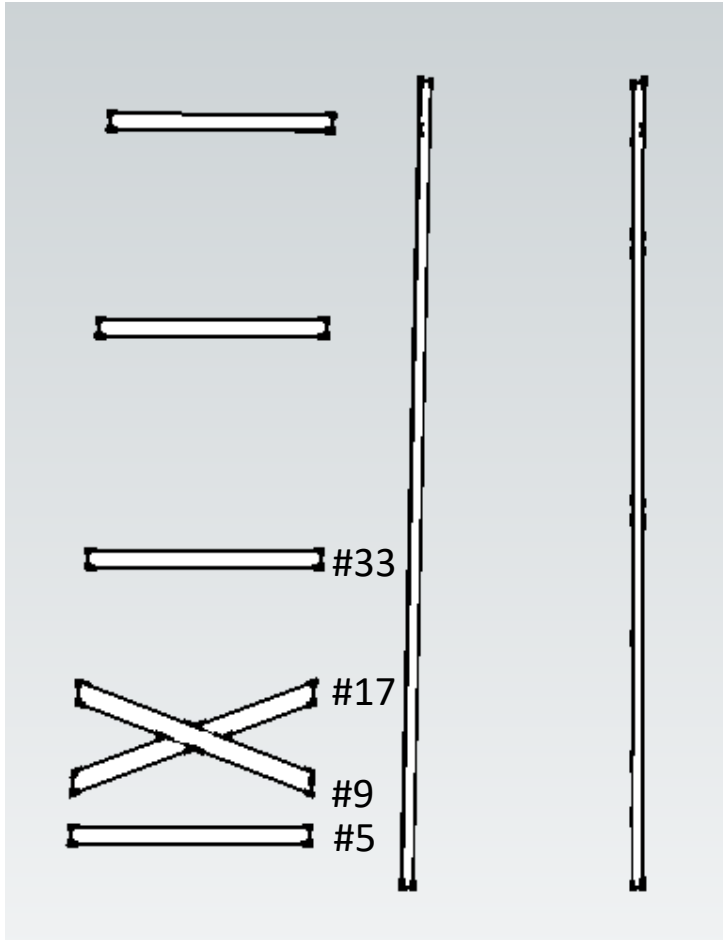


The next bar (cross bar) must be inserted at grip #17 . Please note that this bar is placed on the other side of the metal beam. See picture.

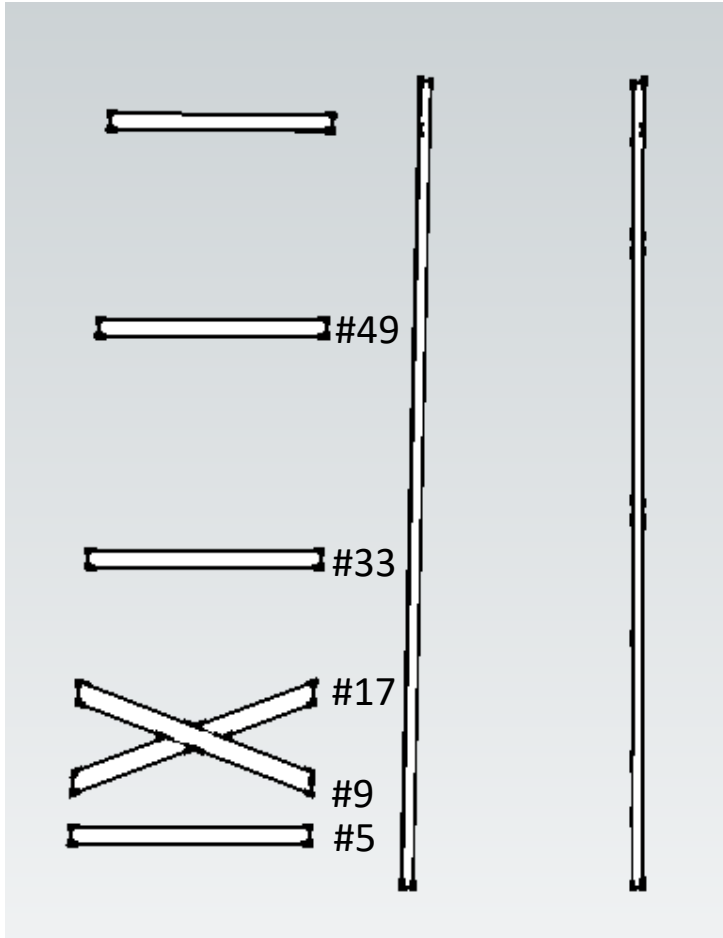


Assembly of the lateral metal beams (R64)

The next bar (horizontal bar) must be inserted at grip #33. See picture.



Assembly of the lateral metal beams (R64)

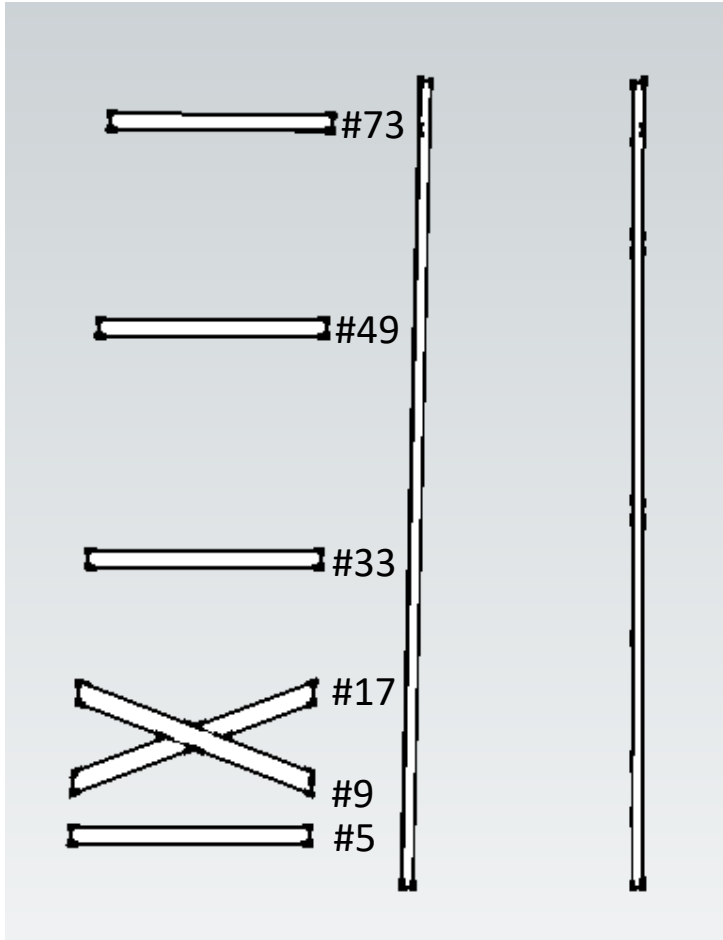


The next bar (horizontal bar) must be inserted at grip #49. See picture.

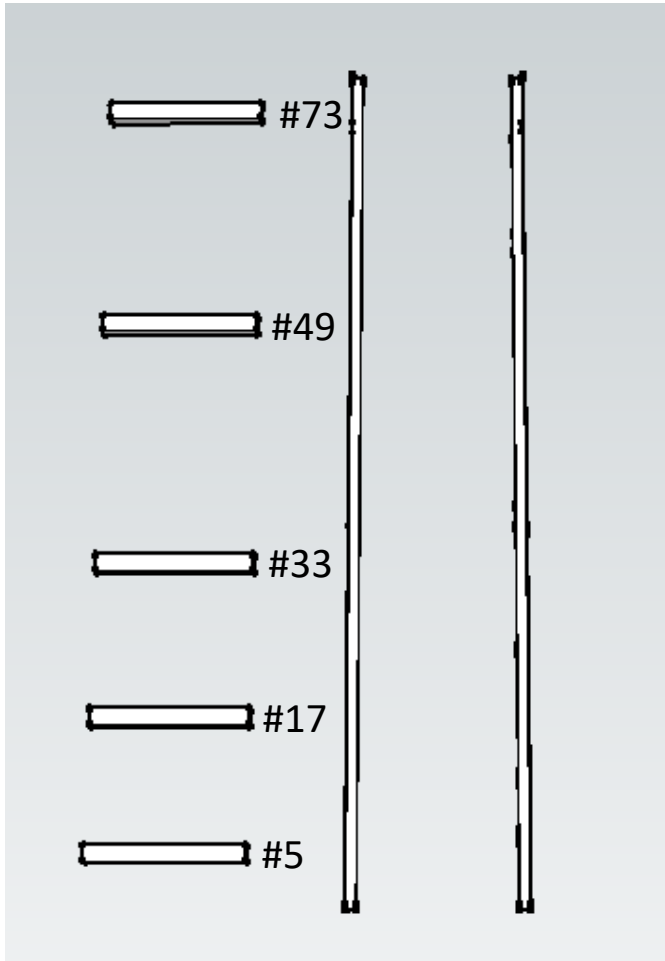


Assembly of the lateral metal beams (R64)

The next bar (horizontal bar) must be inserted at grip #73. See picture.



Assembly of the lateral metal beams (R32)

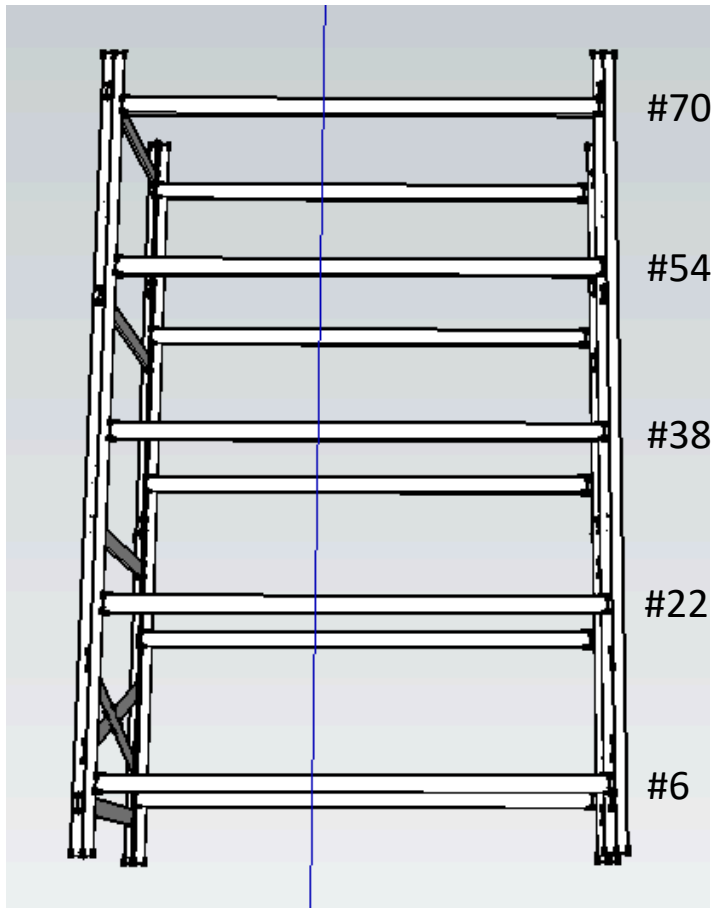


Cross bars are not used for SE-R32. They are replaced by an additional horizontal bar. Assemble the beams in the same way as (explained before) for R64, according to the grip positions of the picture.

Put the plastic caps on the end of each metal beam, once the beams are joined by the cross/ horizontal bars.



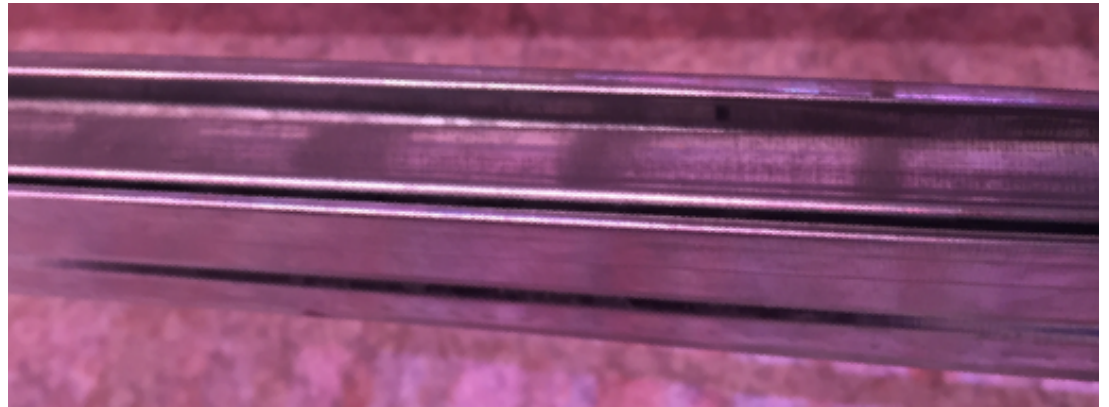
Then, join both sides by using the long horizontal bars (10x), as shown in the sketch.



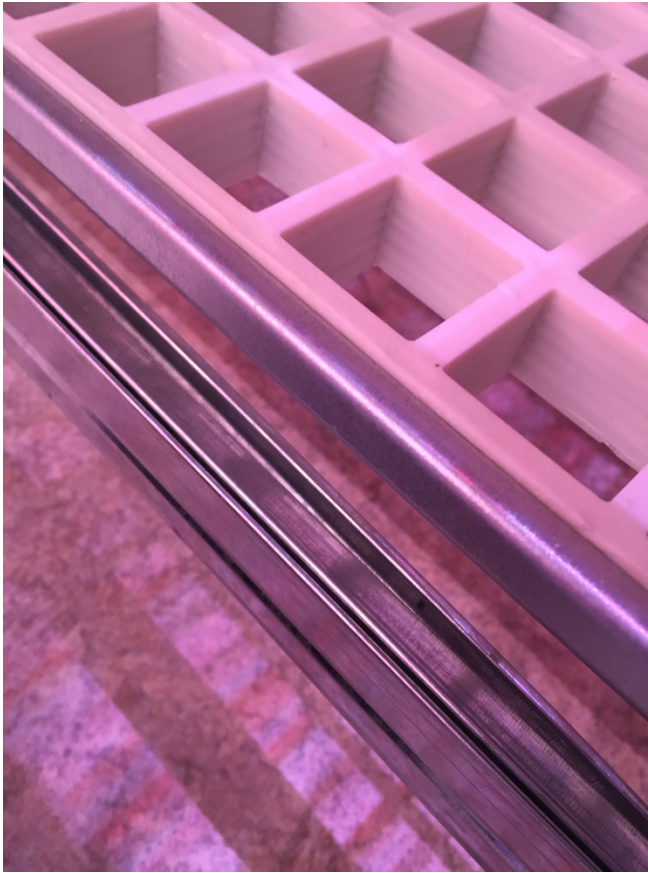
Position the bars at the grip positions indicated in the picture.

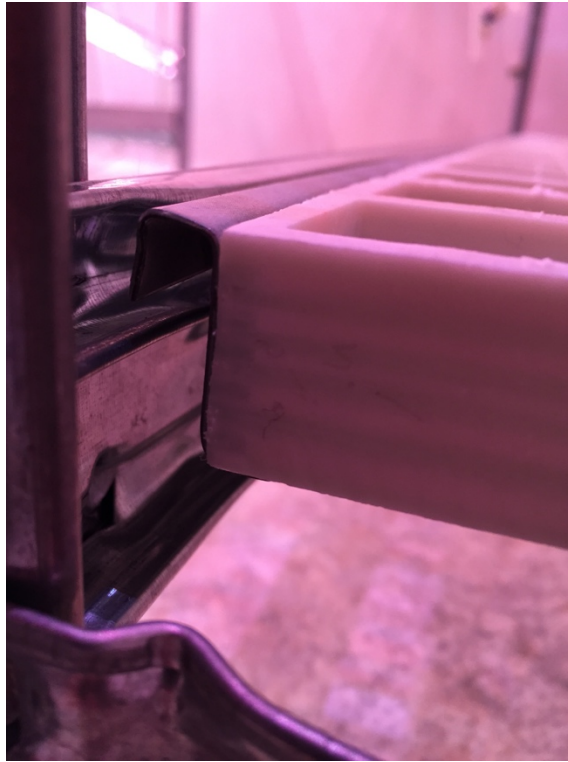
Using this setup, there will be 53 cm between the shelves.

Bars are clicked on two grips of the inner side of the metal beams, keeping the long slit on the top position, enabling you to place the grid shelves on top of it.



Last, place the grid shelves as illustrated below.





Once the rack is assembled, please proceed to the installation of the SE-Tair line.

This manual can be found in the following link:

https://setis-systems.be/media/documents/SE-Tair_line_assembly_2020.pdf