

DESCRIPTION

The MPCART is a step-up CO₂ pump mounted on a movable cart integrated with the operating functions of the CO₂Cage. It draws CO₂ from outdoor bulk storage tanks at 300 psi, and steps the pressure up to 800 psi to keep the CO₂Cage full.

The MPCART is controlled by the electronics and touch screen display on-board. It connects wirelessly to the CO₂ CO₂Cage for maximum versatility in factory floor placement. Supercritical CO₂ extraction machines require a reliable source of CO₂ supply at constant pressure levels for efficient extraction. The MPCART will keep your micro bulk tank at capacity. extraktLAB has created CO₂ supply solutions for any manufacturing capacity or production configuration.



FEATURES

- 🌿 **Mobile or Permanently Plumbed inline CO₂ Pump Solution**
- 🌿 **20 lbs/min Fill Rate**
- 🌿 **4-20 mAmp Connectivity to CO₂Cage**
- 🌿 **Transports Liquid CO₂ More Than 100 feet**
- 🌿 **Integrates with CO₂Cage**
- 🌿 **CO₂Cage Automatically Signals to Turn Pump On**

CO₂CAGE™

Micro Bulk CO₂ Tank

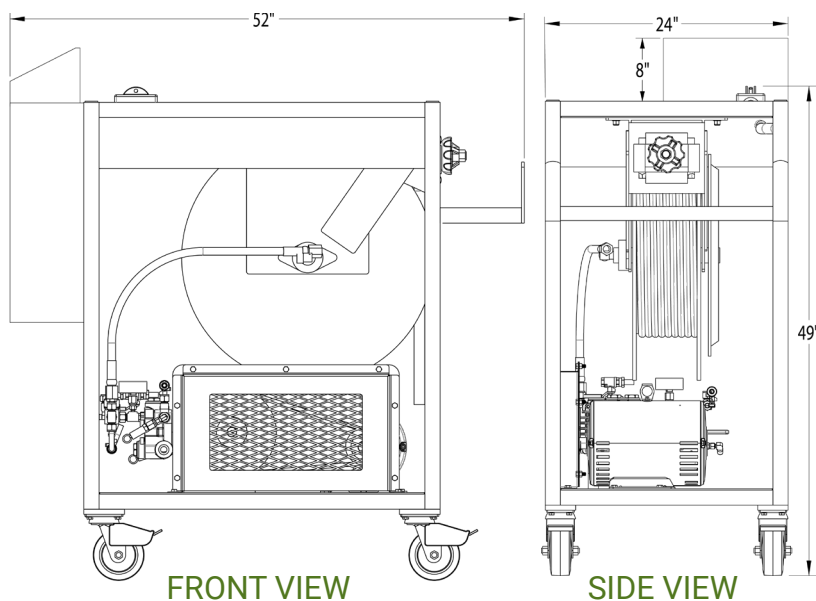
The CO₂Cage is a micro bulk CO₂ tank, with mechanisms installed so it can be safely installed in any indoor facility. Micro bulk tanks are typically not refrigerated and range from half of a ton to one ton.

Micro bulk tanks are filled periodically, typically by beverage CO₂ Supply trucks, or they can be installed as part of a bulk CO₂ system and supplied by a bulk tank. The CO₂Cage is capable of storing 1600 lbs of liquid CO₂.

SPECIFICATIONS

| MPCart | |
|----------------------------------|--------------------|
| ATTRIBUTE | VALUE |
| General Specifications | |
| Dimensions (in) | L52 x W24 x H56 |
| Unit Weight (lbs) | 690 |
| Control Type | PLC, Manual Switch |
| Cord Length (ft) | 120 |
| Feed Hose Connection (in) | 1-1/2 F CGA |
| Feed Hose Length (ft) | 5 |
| Fill Hose Connection | CGA 320 |
| Fill Hose Length (ft) | 100 |
| Inlet (psi) | 300-350 |
| Maximum (RPM) | 1,750 |
| Output (HP) | 5 |
| Electrical Specifications | |
| Electrical (A, V) | 21-23, 208-230/380 |
| Electrical Plug Type | HBL2621S |
| Frequency (Hz) | 50/60 |
| Phase | 1 |

LINE DRAWINGS



SOLD SEPARATELY:

CO₂ Cage #10-0009 (208-230V) 1ph | #10-0097 (380V) 1ph
 #80-9608 | GMP Equipment Commissioning & Training Package
 #80-9606 | GMP Equipment Documentation Package
 #80-9609 | Maintenance Package (12 months)

CO₂ Supply Configurations

Larger Production Lines



One CO₂ Cage for six extractors when integrated with MPCART and bulk storage tank.

To Order:
electronic MPCART #10-0131 (208-230V) | #10-0155 (380V)



651-600-0036 | EXTRAKTLAB.COM
 500 SIMMON DR. OSCEOLA, WI 54020

