

FOUNDATION SCALES

1. General description

Foundation scales are designed to weigh big loads in industry and trading. This scales are ready to work in floor adaptation.

Foundation scales are available in two versions:

- standard type - normal environment conditions, painted steel scale and meter (ME-01/A/18),
- stainless steel type (N) - resistance to water, detergents, mineral salts and acids, scale and meter (ME-01/N/18) made of stainless steel.

All types of foundation scales have 4 extensometer sensors (IP68). Thanks to this sensors the scale is very precise all over the pan.

Standard models have pan that can be easily removed which makes periodical cleaning possible. Scales with opening pan are also available. User can choose from scales with one sided (2 gas springs) or double sided (4 gas springs) opening system which makes cleaning easier and faster. This scales are available only in stainless steel version. When the pan is 1,5x1,5m, double sided system is used. With smaller pan sizes we offer one sided system.

RS232C allows to connect a belt printer, label printer or a computer in order to print receipts, labels or to make raports.

Analogue measurement signal out and transoptor threshold out enable to use foundation scales in automation production process.

Range of use is extended by many additional options and special functions.

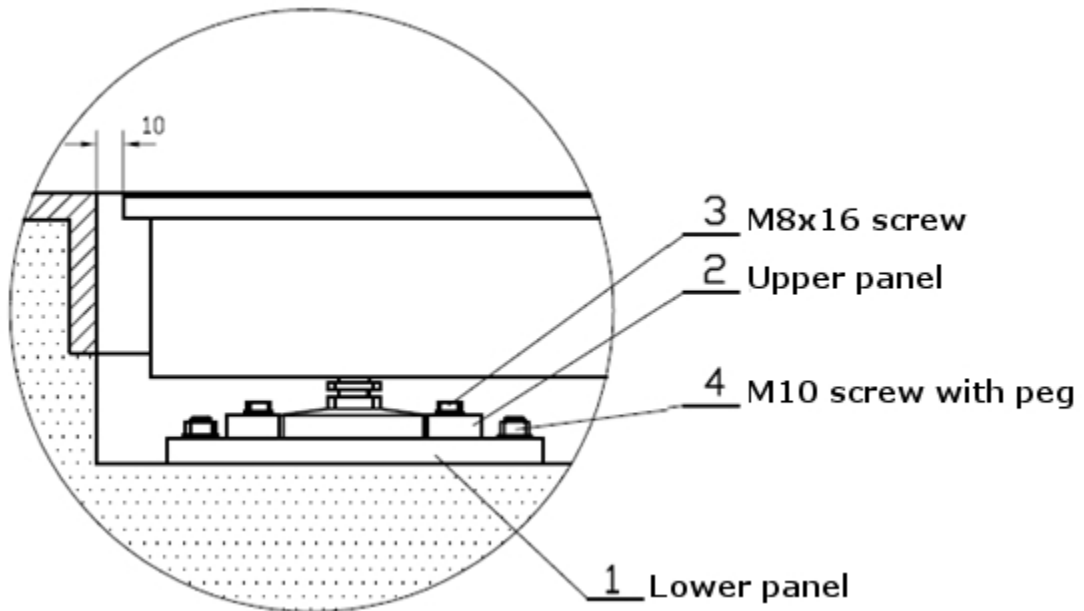
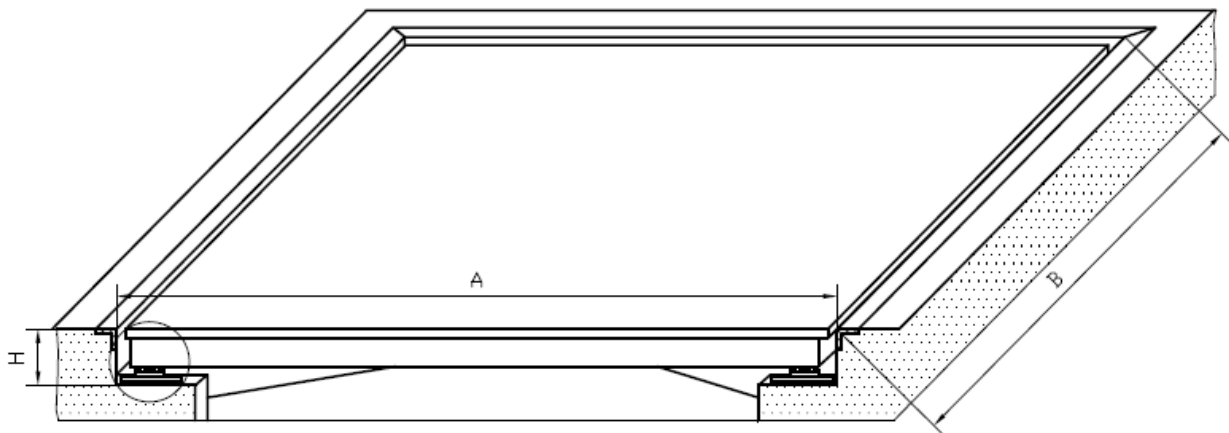
Foundation scales need special border to make floor adaptation possible. This border can be ordered from us or costumer can make it on his own (adequate technical documentation is supplied).

2. Technical specification

PAINTED AND STAINLESS STEEL FOUNDATION SCALES					
Scale type	4BA300F(N)	4BA600F(N)	4BA1500F(N)	4BA2000F(N)	4BA3000F(N)
Maximal load (Max)	300kg	600kg	1500kg	2000kg	3000kg
Readout graduation (d)	100g	200g	500g	1kg	1kg
Verification unit (e)	100g	200g	500g	1kg	1kg
Minimal load (Min)	2kg	4kg	10kg	20kg	20kg
Tare range	-300kg	-600kg	-1500kg	-2000kg	-3000kg
Accuracy class	III				
Working temperature	-10÷40°C				
Weighing time	<3s				
Foundation depth	128mm				
Pan dimensions: Scale weight:					
B: 1000x1000x80(85)mm 140kg	•	•	•		
C: 1250x1250x80(85)mm 170kg	•	•	•	•	
D1:1500x1500x80(85)mm 210kg		•	•	•	
D2:1500x1500x112(110)mm 210kg					•
E: 1500x2000x112(110)mm 300kg					•
Display cable length	4m				
Supply	~230V, 50Hz, 8VA				
Meter protection class	ME-01/A/18 - none IP, ME-01/N/18 - IP65				
Sensor protection class	IP68				

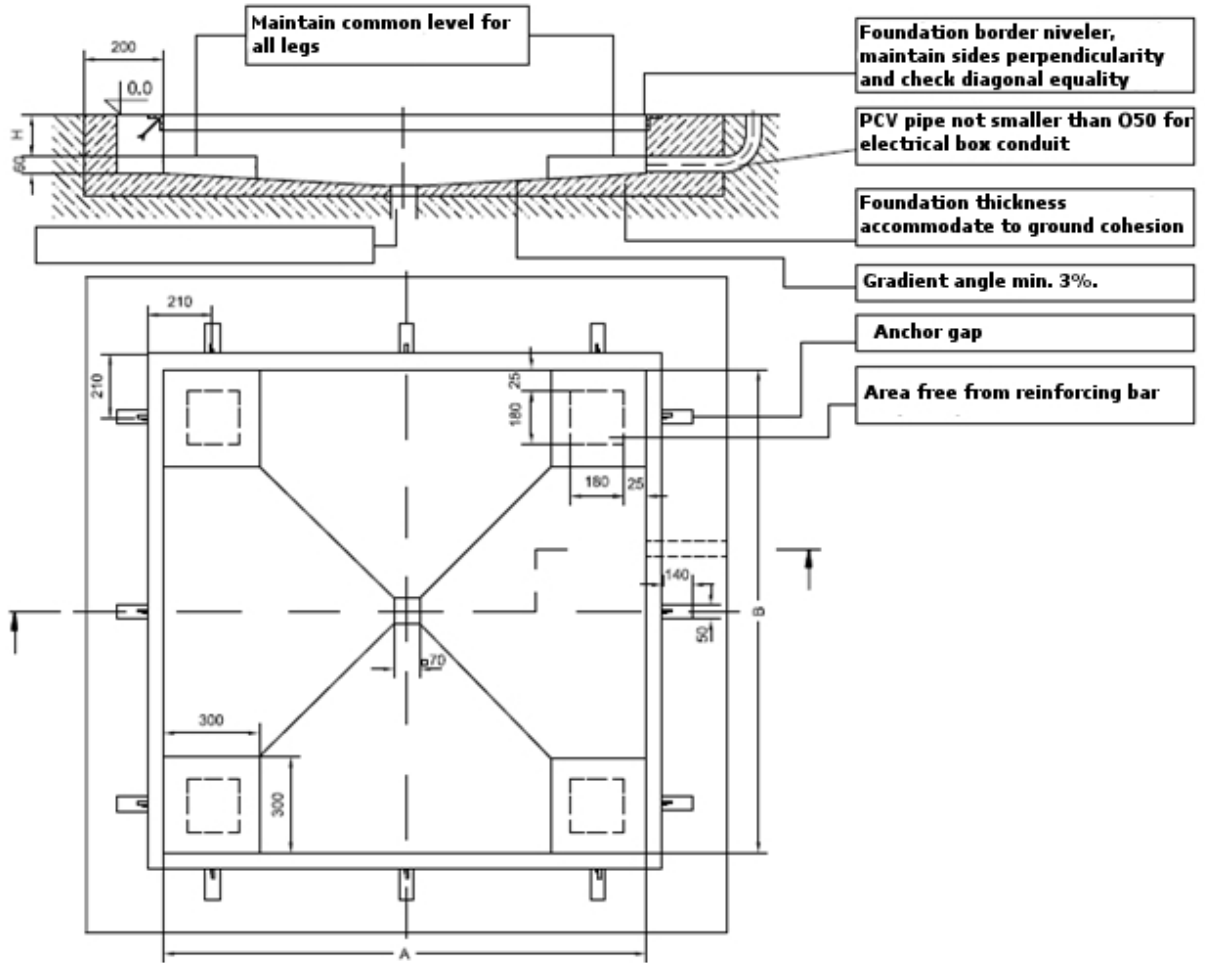
OPENING FOUNDATION SCALES							
Scale type	One-sided system scales				Both sided system scales		
	4BA300FN1S	4BA600FN1S	4BA1500FN1S	4BA2000F1S	4BA600FN2S	4BA1500FN2S	4BA2000F2S
Maximal load (Max)	300kg	600kg	1500kg	2000kg	600kg	1500kg	2000kg
Readout unit (d)	100g	200g	500g	1kg	200g	500g	1kg
Verification unit (e)	100g	200g	500g	1kg	200g	500g	1kg
Minimal load (Min)	2kg	4kg	10kg	20kg	4kg	10kg	20kg
Tare range	-300kg	-600kg	-1500kg	-2000kg	-600kg	-1500kg	-2000kg
Accuracy class	III						
Working temperature	-10÷40°C						
Weighing time	<3s						
Foundation depth	128mm						
Platform dimen; Scale weight:							
B :1000x1000mm 140kg	•	•	•				
C: 1250x1250mm 170kg	•	•	•	•			
D1: 1500x1500mm 210kg					•	•	•
Display cable length	4m						
Supply	~230V, 50Hz, 8VA						
Meter protection class	ME-01/A/18 - none IP, ME-01/N/18 - IP65						
Sensor protection class	IP68						

3. Scale floor adaptation

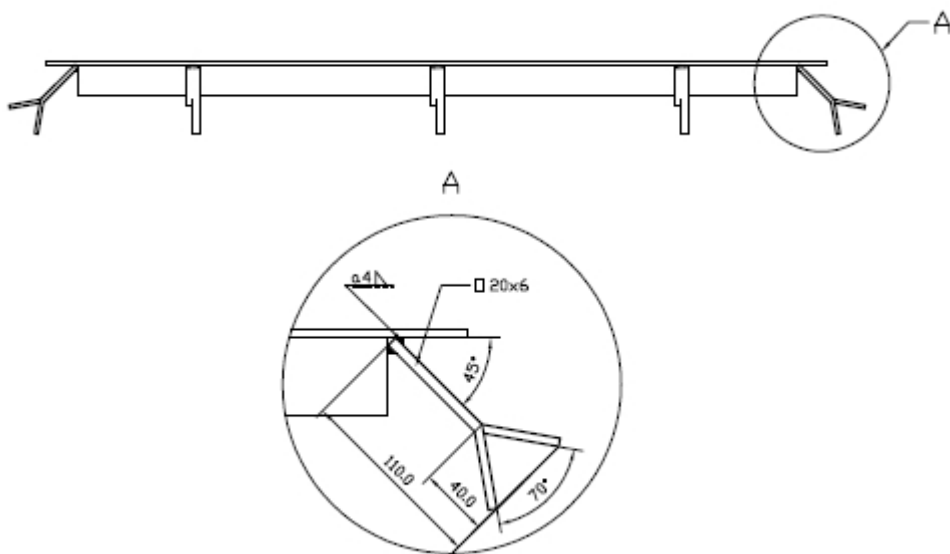


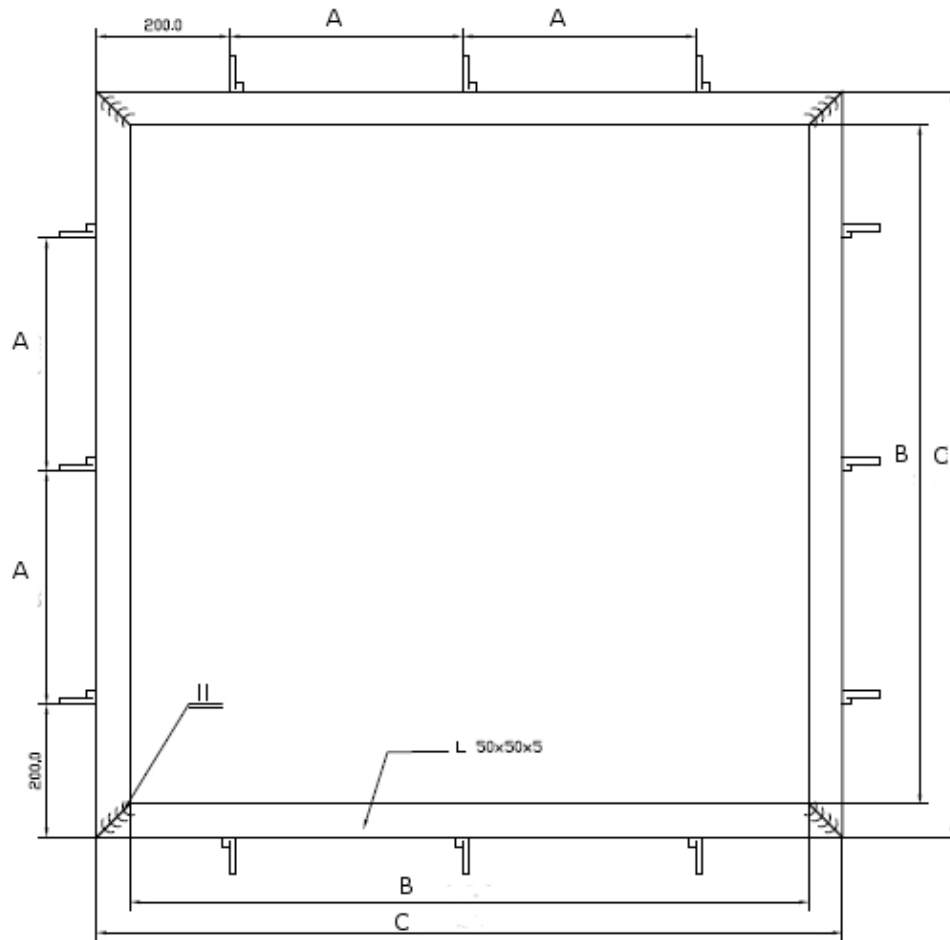
Scale type	Platform dimensions [mm]	Foundation dimensions AxBxH [mm]
4BA300F(N) – B	1000x1000	1020x1020x128
4BA300F(N) – C	1250x1250	1270x1270x128
4BA600F(N) - B	1000x1000	1020x1020x128
4BA600F(N) - C	1250x1250	1270x1270x128
4BA600F(N) – D1	1500x1500	1520x1520x128
4BA1500F(N) - B	1000x1000	1020x1020x128
4BA1500F(N) - C	1250x1250	1270x1270x128
4BA1500F(N) – D1	1500x1500	1520x1520x128
4BA2000F(N) - C	1250x1250	1270x1270x128
4BA2000F(N) – D1	1500x1500	1520x1520x128
4BA3000F(N) – D2	1500x1500	1520x1520x128
4BA3000F(N) – E	1500x2000	1520x2020x128

4. Foundation execution



5. Foundation border dimensions





Platform	A	B	C
1000 x 1000 mm	350	1020	1020
1250 x 1250 mm	475	1270	1370
1500 x 1500 mm	600	1520	1620
1500 x 2000 mm	725	1520	1620